

Tippette

Full Sized Rocker Switches

The Tippette Series is a traditionally styled rocker switch, available in sealed or unsealed versions. These switches are appropriate for use in general purpose applications which may or may not require a modicum of environmental protection. The Tippette Series is available in both illuminated and non-illuminated versions and features a wide variety of circuits, actuator styles and bracket options. This versatile offering includes international agency certifications and ratings to 26 amps for select circuits.



Carling Technologies®

Innovative Designs. Powerful Solutions.

Innovative Designs. Powerful Solutions.

Carling Technologies, Inc.
60 Johnson Avenue • Plainville, CT 06062-1177
Phone: (860) 793-9281 • Fax: (860) 793-9231
Email: sales@carlingtech.com • www.carlingtech.com

Electrical

| | |
|-----------------------|---|
| Contact Rating | 15 amps, 125 VAC 10 amps, 250 VAC 3/4 HP 125-250 VAC 15 amps, 12-30 VDC |
| Life | 25,000 cycles circuit dependent 50,000 cycles circuit dependent consult factory for applicable circuits. |
| Contacts Terminals | Fine silver, silver cad-oxide Brass or copper/silver plate 1/4" (6.3mm) Quick Connect terminations standard. Solder lug - Brass Tin Plated Wire Lead 16 gauge standard 105°C 600VAC Screw Terminals - Brass |

Mechanical

| | |
|-----------|------------------------|
| Endurance | 100,000 cycles minimum |
|-----------|------------------------|

Physical

| | |
|----------------|---|
| Lighted | Incandescent - rated 10,000 hours Neon - rated 25,000 hours |
| Seals | Bracket - Actuator WBL/MBL optional external gasket panel seal |
| Base | Phenolic (150°C) |
| Rocker/Bracket | Nylon 66 (105°C) |

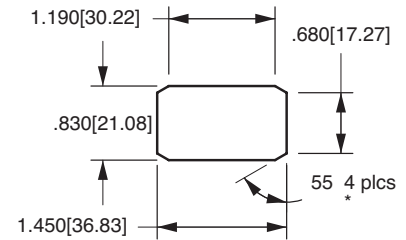
Agency Certifications



Select circuits and constructions with IEC approvals are available. Consult factory

Mounting

MOUNTING HOLE
(Nylon Snap-in Brackets)
Panel Thickness:
.040 min. - .250 max.



*Angled corners are suggested for optimum fit.
Standard rectangular cutout is acceptable.

*Manufacturer reserves the right to change product specification without prior notice.

TIGA51 - 6M - BL - MBL

¹ Base Part Number ² Actuator Style ³ Actuator Color ⁴ Bracket

1 BASE PART NUMBER: SERIES/POLES/CIRCUITRY^{8,11,13}/RATING⁷/TERMINATION¹⁰

10A 250VAC, 15A 125VAC, 3/4 HP 125-250VAC, 15A 6-28VDC⁷
Single Pole in Double Pole base²

| solder lug | .250 tab | screw term. | wire lead | |
|------------|----------|-------------|-----------|---------------|
| TIGA50 | TIGA51 | TIGA54 | TIGA55 | On-None-Off |
| TIGA5A | TIGA5B | TIGA5E | TIGA5F | (On)-None-Off |
| TIGA5L | TIGA5M | TIGA5S | TIGA5T | On-None-(Off) |
| TIGB50 | TIGB51 | TIGB54 | TIGB55 | On-None-On |
| TIGB5A | TIGB5B | TIGB5E | TIGB5F | On-None-(On) |
| TIGC50 | TIGC51 | TIGC54 | TIGC55 | On-Off-On |
| TIGC5A | TIGC5B | TIGC5E | TIGC5F | On-Off-(On) |
| TIGC5L | TIGC5M | TIGC5S | TIGC5T | (On)-Off-(On) |

Double Pole

| solder lug | .250 tab | screw term. | wire lead | |
|------------|----------|-------------|-----------|--|
| TIGK50 | TIGK51 | TIGK54 | TIGK55 | |
| TIGK5A | TIGK5B | TIGK5E | TIGK5F | |
| TIGK5L | TIGK5M | TIGK5S | TIGK5T | |
| TIGL50 | TIGL51 | TIGL54 | TIGL55 | |
| TIGL5A | TIGL5B | TIGL5E | TIGL5F | |
| TIGM50 | TIGM51 | TIGM54 | TIGM55 | |
| TIGM5A | TIGM5B | TIGM5E | TIGM5F | |
| TIGM5L | TIGM5M | TIGM5S | TIGM5T | |

Three Pole

| solder lug | .250 tab | screw term. | wire lead | |
|------------|----------|-------------|-----------|---------------|
| TIHK50 | TIHK51 | TIHK54 | TIHK55 | On-None-Off |
| TIHK5A | TIHK5B | TIHK5E | TIHK5F | (On)-None-Off |
| TIHK5L | TIHK5M | TIHK5S | TIHK5T | On-None-(Off) |
| TIHL50 | TIHL51 | TIHL54 | TIHL55 | On-None-On |
| TIHL5A | TIHL5B | TIHL5E | TIHL5F | On-None-(On) |
| TIHM50 | TIHM51 | TIHM54 | TIHM55 | On-Off-On |
| TIHM5A | TIHM5B | TIHM5E | TIHM5F | On-Off-(On) |
| TIHM5L | TIHM5M | TIHM5S | TIHM5T | (On)-Off-(On) |

Four Pole

| solder lug | .250 tab | screw term. | wire lead | |
|------------|----------|-------------|-----------|--|
| TIJK50 | TIJK51 | TIJK54 | TIJK55 | |
| TIJK5A | TIJK5B | TIJK5E | TIJK5F | |
| TIJK5L | TIJK5M | TIJK5S | TIJK5T | |
| TIIL50 | TIIL51 | TIIL54 | TIIL55 | |
| TIIL5A | TIIL5B | TIIL5E | TIIL5F | |
| TIIM50 | TIIM51 | TIIM54 | TIIM55 | |
| TIIM5A | TIIM5B | TIIM5E | TIIM5F | |
| TIIM5L | TIIM5M | TIIM5S | TIIM5T | |

VDE APPROVED

10A 250VAC, 15A 125VAC, 12(6)A 250VAC T85

Single Pole in Double Pole base²

| solder lug | .250 tab | wire lead | |
|------------|----------|-----------|-------------|
| TIGA90 | TIGA91 | TIGA95 | On-None-Off |
| TIGB90 | TIGB91 | TIGB95 | On-None-On |
| TIGC90 | TIGC91 | TIGC95 | On-Off-On |

Double Pole

| solder lug | .250 tab | wire lead | |
|------------|----------|-----------|--|
| TIGK90 | TIGK91 | TIGK95 | |
| TIGL90 | TIGL91 | TIGL95 | |
| TIGM90 | TIGM91 | TIGM95 | |

Additional ratings up to 20A 125-277VAC, 1 1/2HP 125 VAC, 2HP 250VAC are available. Consult factory for specifics.

2 ACTUATOR STYLE

| | | | |
|----|---|----|---|
| 1S | Angular/Smooth Face Gloss ¹² | 6M | Curved/Smooth Face Matte ³ |
| 1C | Angular/Cross Serrations Gloss ¹² | 6S | Curved/Smooth Face Gloss ³ |
| 1F | Flatted/Smooth Face Gloss ¹² | 7S | Rounded Paddle/Smooth Face Gloss ¹ |
| 1L | Angular/Longline Serrations Gloss ^{1,12} | 7N | Witch's Hat/Narrow ¹⁵ |
| 2L | Long Smooth/Narrow ¹⁵ | 7P | Witch's Hat/Wide ¹⁵ |

3 ACTUATOR COLOR⁹

BL black WH white RD red

4 BRACKET STYLE⁹

| | |
|--------|---|
| A | Screw Mount ⁵ |
| B | Screw Mount ^{5,12} |
| C | Screw Mount ⁵ |
| H | Screw Mount ⁵ |
| NBL | Nylon Black |
| WBL | Watershedding Black ⁴ |
| MBL | Marine Style Black ^{4,6} |
| FN | Metal Snap-In ⁵ |
| FN BLK | Black Metal Snap-In ⁵ |
| FN SS | Stainless Steel Snap-In ⁵ |
| FW | Wide Stainless Steel Snap-In ⁵ |

Notes:

- NBL, FN, & FW brackets only.
- For single pole switch in a single pole base, specify TIL with single pole circuitry/rating/termination.
- NBL, WBL, & MBL brackets only. With 6M actuator, brackets also will be matte finish.
- 6M & 6S actuators only.
- Not available with 6M & 6S actuators.
- Consists of WBL bracket, neoprene seal, and dummy rivets at open holes. Consult factory for agency approval status.
- All ratings are appropriate for usage in low voltage applications.
- For additional special circuits, see page 21.....?!?!?
- Custom colors are available, consult factory.
- .187 tab and PC terminations are also available. Consult factory for catalog number callout.
- () momentary
- Not available with WBL or MBL style brackets.
- Additional circuits available. See page 21.
- Available with bracket A, C or H only.
- Not available with MBL, WBL or H brackets. Can be supplied as a double rocker to control separate poles of a TIG, TIH or TII switch. Consult factory for details.

LTILA51 - 6M - BL - RC - MBL - 12V

¹ Base Part Number ² Actuator Style ³ Actuator Color ⁴ Lens Color ⁵ Bracket ⁶ Lamp Voltage

1 BASE PART NUMBER: SERIES/POLES/ILLUMINATION/CIRCUITRY¹²/RATING¹⁰/TERMINATION¹⁴

10A 250VAC, 15A 125VAC, 3/4 HP 125-250VAC, 15A 15-28VDC
illuminated Single Pole in Double Pole base

| solder lug | .250 tab | screw term. | wire lead | |
|------------|----------|-------------|-----------|---------------|
| LTILA50 | LTILA51 | LTILA54 | LTILA55 | On-None-Off |
| LTILA5A | LTILA5B | LTILA5E | LTILA5F | (On)-None-Off |
| LTILA5L | LTILA5M | LTILA5S | LTILA5T | On-None-(Off) |
| LTILB50 | LTILB51 | LTILB54 | LTILB55 | On-None-On |
| LTILB5A | LTILB5B | LTILB5E | LTILB5F | On-None-(On) |
| LTILC50 | LTILC51 | LTILC54 | LTILC55 | On-Off-On |
| LTILC5A | LTILC5B | LTILC5E | LTILC5F | On-Off-(On) |
| LTILC5L | LTILC5M | LTILC5S | LTILC5T | (On)-Off-(On) |

illuminated Double Pole

| solder lug | .250 tab | screw term. | wire lead | |
|------------|----------|-------------|-----------|--|
| LTIGK50 | LTIGK51 | LTIGK54 | LTIGK55 | |
| LTIGK5A | LTIGK5B | LTIGK5E | LTIGK5F | |
| LTIGK5L | LTIGK5M | LTIGK5S | LTIGK5T | |
| LTIGL50 | LTIGL51 | LTIGL54 | LTIGL55 | |
| LTIGL5A | LTIGL5B | LTIGL5E | LTIGL5F | |
| LTIGM50 | LTIGM51 | LTIGM54 | LTIGM55 | |
| LTIGM5A | LTIGM5B | LTIGM5E | LTIGM5F | |
| LTIGM5L | LTIGM5M | LTIGM5S | LTIGM5T | |

Additional ratings up to 12A 250VAC, 17A 125 VAC, 3/4 HP 125 VAC, 1HP 250VAC are available. Consult factory for specifics.

Three pole switch is also available: Substitute H for fourth digit of part number. ex. LTIIHK51

2 ACTUATOR STYLE⁴

| | |
|----|--|
| 1S | Angular/Smooth Face Gloss ¹ |
| 1C | Angular/Cross Serrations Gloss ¹ |
| 1L | Angular/Longline Serrations Gloss ¹ |
| 6M | Curved/Smooth Face Matte ³ |
| 6S | Curved/Smooth Face Gloss ³ |
| 7S | Rounded Paddle/Smooth Face Gloss ² |

3 ACTUATOR COLOR¹¹

BL black WH white RD red

4 LENS COLOR¹³

| | | | | | |
|----|-------------------|----|-------|----|--------------------|
| AM | amber | RC | red | GN | green ⁷ |
| LU | blue ⁷ | CL | clear | WH | white |

5 BRACKET STYLE¹¹

| | |
|--------|--|
| NBL | Nylon Black |
| WBL | Watershedding Black ⁵ |
| MBL | Marine Style Black ^{3,8} |
| FN | Metal Snap-In ^{4,6} |
| FN BLK | Black Metal Snap-In ^{4,6} |
| FN SS | Stainless Steel Snap-In ^{4,6} |

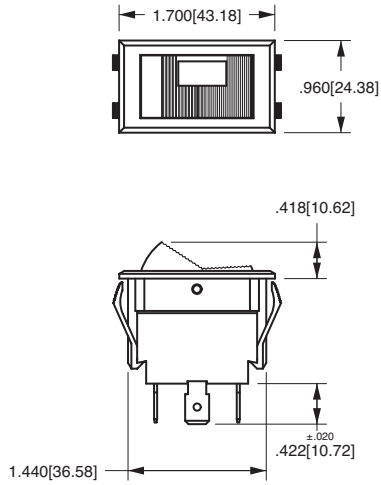
6 LAMP VOLTAGE

| | | | | | |
|-------------------|----------|------|----------|-----|---------|
| neon ⁹ | | | | | |
| 125N | 125 volt | 250N | 250 volt | | |
| incandescent | | | | | |
| 6V | 6 volt | 12V | 12 volt | 18V | 18 volt |
| 24V | 24 volt | 28V | 28 volt | | |

Notes:

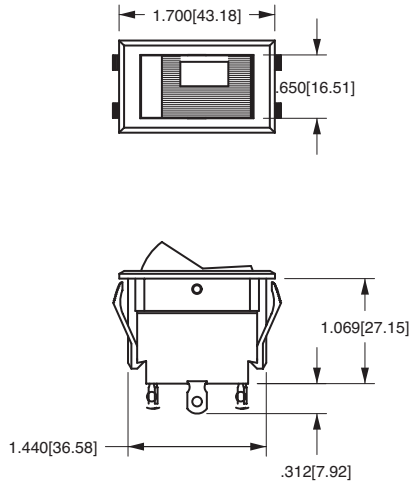
- NBL, FN, & FW brackets only. Double pole circuits provided with 3 pole base.
- LTIL-Series with NBL, FN, & FW brackets only.
- NBL, WBL, & MBL brackets only. With 6M actuator, bracket will also be matte finish.
- 1S, 1C, 1L & 7S with NBL bracket only available with LTIL-Series.
- 6M, 6S actuators only.
- Not available with 6M and 6S actuators.
- Not recommended with neon lamps.
- Consists of WBL bracket, neoprene seal, dummy rivets at open holes. Consult factory for agency approval status.
- Not recommended with blue or green lenses.
- All ratings are appropriate for usage in low voltage applications.
- Custom colors and additional bracket styles are available, consult factory.
- () - momentary
- All double throw circuits supplied with two lenses. To specify two different lens colors, specify second color, after first color. (ex. LTIGM51-6S-BL-RC/GN-WBL-12V)
- .187 tab and PC terminations are also available. Consult factory for catalog number callout.

1C
CROSS-LINE W/ONE LENS



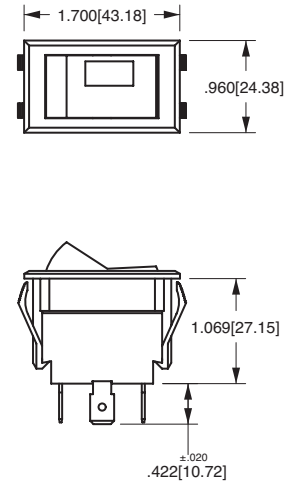
WITH .250 TAB
TERMINALS
AND NBL BRACKET

1L
LONG-LINE W/ONE LENS



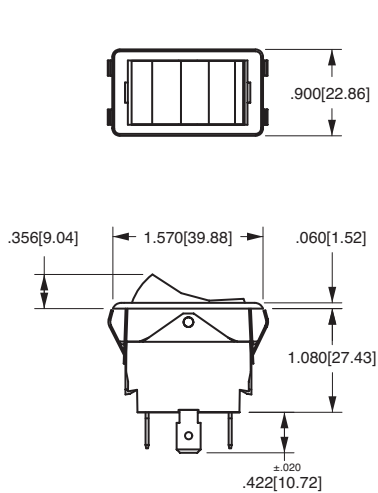
WITH SOLDER LUG
TERMINAL
AND NBL BRACKET

1S
SMOOTH W/ONE LENS



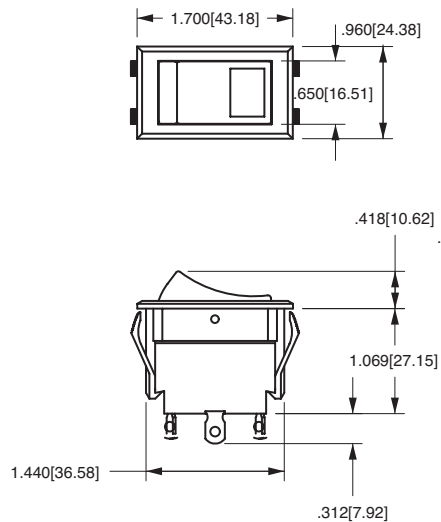
WITH .250 TAB
TERMINALS
AND NBL BRACKET

1F
FLATTED STYLE NO LENS



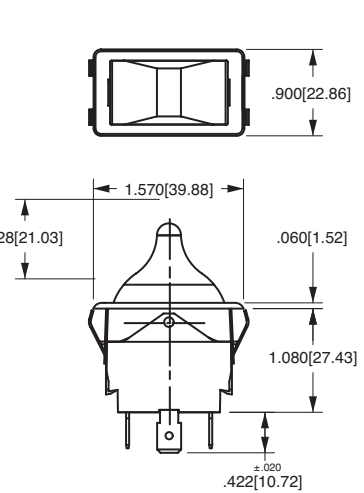
WITH .250 TAB
TERMINALS
AND FN BRACKET

6M, 6S
CURVED W/ONE LENS

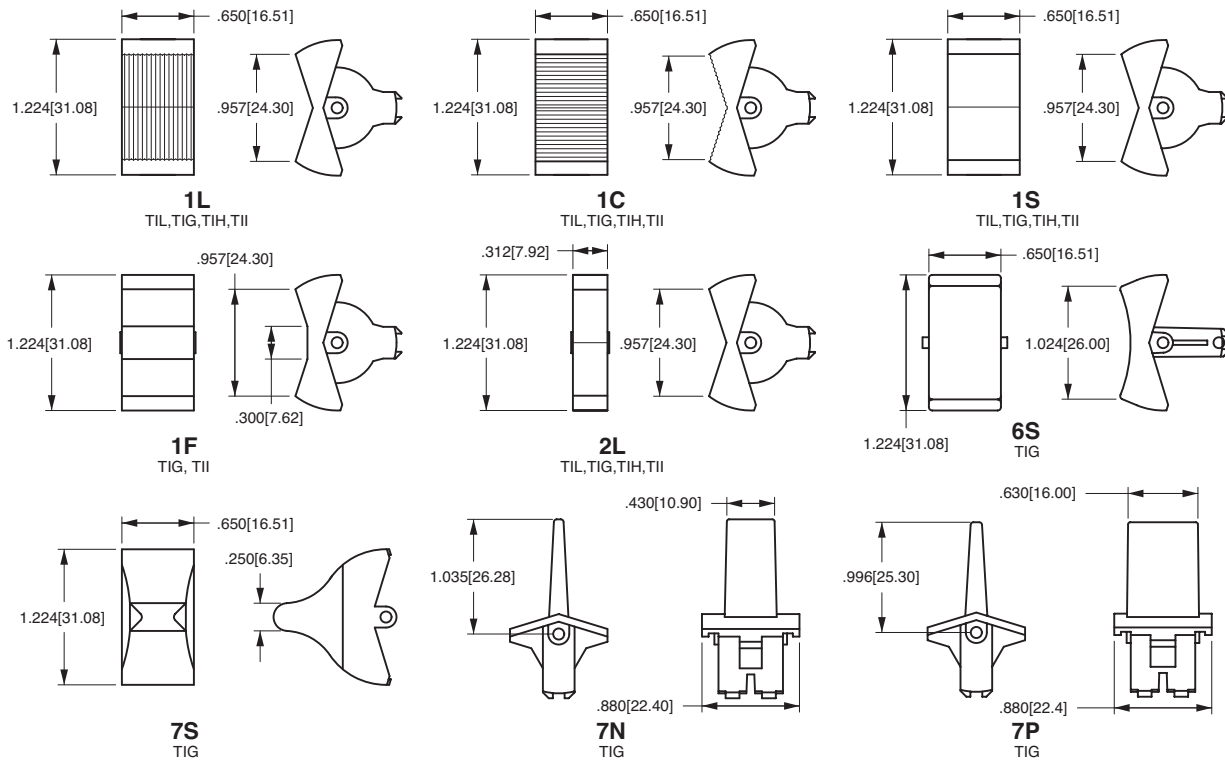
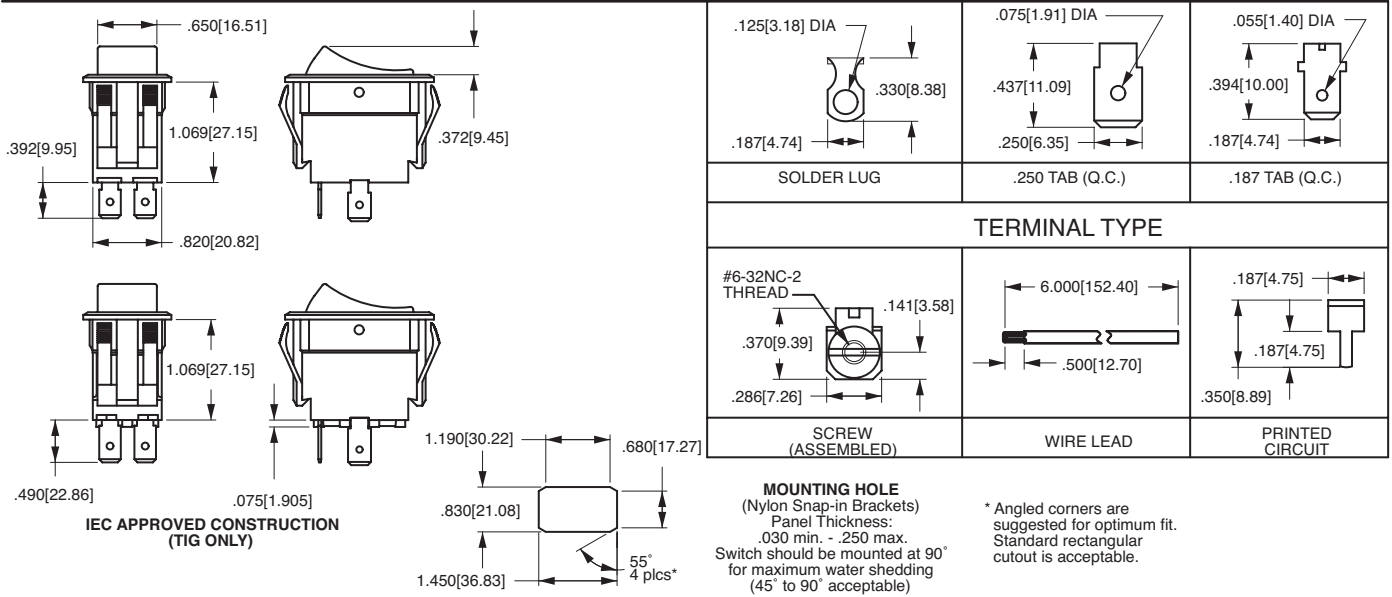


WITH SOLDER LUG
TERMINALS
AND NBL BRACKET

7S
TOGGLE-STYLE W/ONE LENS



WITH .250 TAB
TERMINALS
AND FN BRACKET

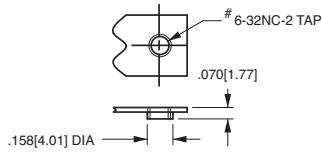


SPECIAL CIRCUITS FOR TIPPETTE ROCKER SWITCHES

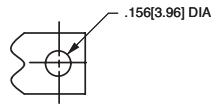
| Circuit | Position 1 | Position 2 | Position 3 |
|--------------------------|--------------------|------------------|--------------|
| Progressive Two Circuit | | | |
| GG | BOTH CIRCUITS ON | ONE CIRCUIT ON | OFF |
| GG | BOTH CIRCUITS (ON) | ONE CIRCUIT ON | OFF |
| Single Pole Triple Throw | | | |
| GE | ON | ON | ON |
| Two Circuit | | | |
| GH | CIRCUIT 1 ON | BOTH CIRCUITS ON | CIRCUIT 2 ON |
| GP | CIRCUIT 2 ON | CIRCUIT 1 ON | OFF |
| Reversing Double Pole | | | |
| GO | ON | OFF | ON |
| GX | ON | NONE | ON |

() Indicates momentary function.

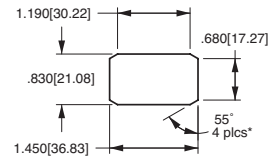
Dimensional Specifications: in. [mm]



TAPPED HOLE
Standard with
A & B Brackets



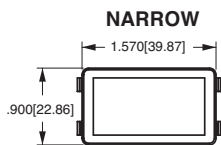
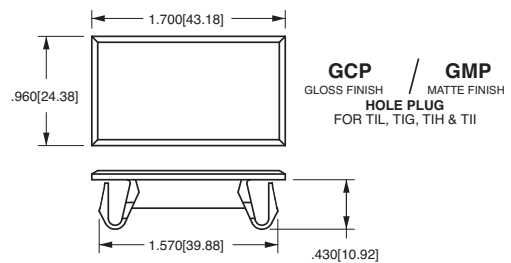
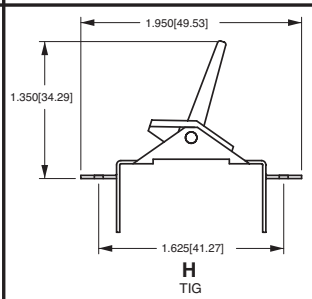
CLEARANCE HOLE
Standard with
C Bracket



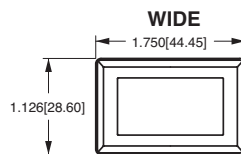
MOUNTING HOLE
(Nylon Snap-in Brackets)
Panel Thickness:
.030 min. - .250 max.

* Angled corners are suggested for optimum fit. Standard rectangular cutout is acceptable.

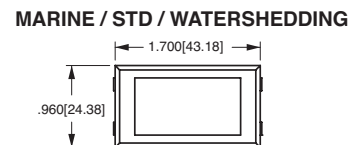
| TIL | TIG | TII | TIH |
|--------------------------|------------------------------|------------------------------|-------------------------|
| <p>A TIL</p> | <p>A TIG</p> | <p>A TII</p> | <p>A TIH</p> |
| <p>B TIL</p> | <p>B TII, TIG</p> | | |
| <p>CX TIL</p> | <p>C TIG</p> | <p>C TIH, TII</p> | |



TIL, TIG, TIH, TII
METAL, SNAP-IN



TIL, TIG, TIH, TII
METAL, SNAP-IN



TIG
BLACK NYLON, SNAP-IN